

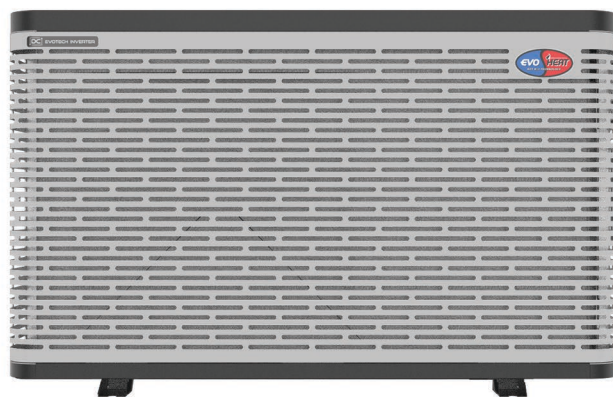


INSTALLATION & OPERATION MANUAL



EDGE-i

INVERTER POOL & SPA HEAT PUMP

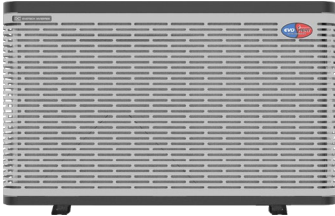


Contents

1. Introduction.....	2
2. Dimensions.....	3
3. Quick Start Guide	4
4. Safety Instructions	6
5. Installation	7
5.1 System Installation	7
5.2 Location of Installation	7
5.3 Airflow Clearances	8
5.4 Adequate Water Flow.....	8
5.5 Rubber Feet.....	8
5.6 Condensate Drain Barb.....	8
5.7 Drainage & Condensation	8
5.8 Plumbing.....	9
5.9 Water Pump Connection	9
5.10 Electrical Connection	9
5.11 Initial Start-Up	9
6. Operation.....	10
6.1 The Controller	10
6.2 Operating Functions.....	10
6.2.1 Startup & Shutdown.....	10
6.2.2 Setting the Mode	10
6.2.3 Setting a Target Temperature.....	10
6.2.4 System Time Settings.....	11
6.2.5 On-Off Timer.....	11
6.2.6 Mute Timer	12
6.2.7 Locking the Keyboard	12
7. Troubleshooting.....	13
7.1 Electronic Control Fault Table	13
7.2 Frequency Conversion Board Fault Table	14
8. Appendix	15
8.1 Controller Interface Diagram	15
8.2 Parameter List.....	20
8.3 Cable Specifications.....	20
9. Maintenance.....	21
9.1 F.A.Q	21
9.2 Advanced.....	22
10. Warranty.....	25

1. Introduction

This manual contains information relating to the installation, troubleshooting, operation, and maintenance of this EvoHeat unit. Instructions in this manual must always be followed. Failure to comply with these recommendations will invalidate the warranty. Should you have any questions or require technical support, call the EvoHeat office on 1300 859 933 to speak to our team.



The Evo Edge-i inverter heat pump is our latest innovation in domestic pool and spa heating and cooling. Thanks to its unique rear intake and side discharge design, the Evo Edge-i can be installed almost anywhere! Designed with our latest stepless full DC inverter compressors, fans, and control systems – all working in perfect harmony to provide optimised year round heating and cooling with the lowest operating costs.

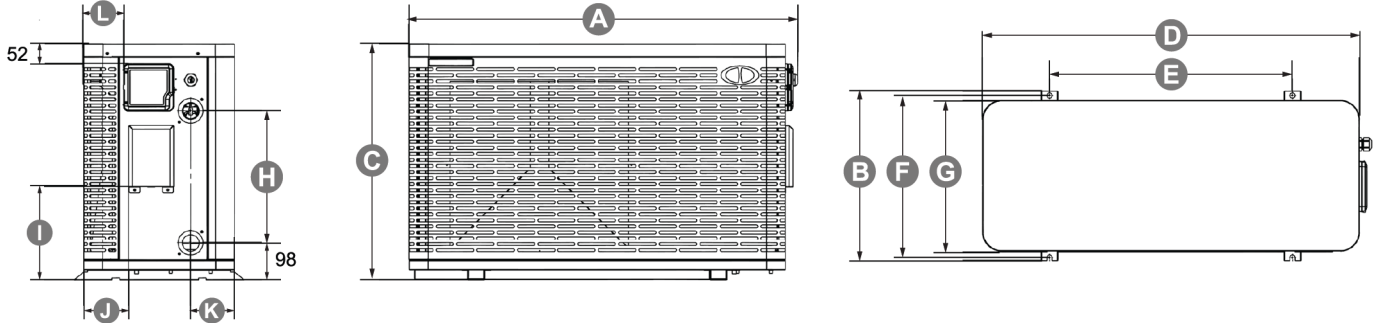
TECHNICAL DATA		Edge-i 7	Edge-i 9	Edge-i 13	Edge-i 17	Edge-i 20
Heating Output (27°C Air/26°C Water)	kW	3.26-7.45	3.26-9.17	3.6-11.47	6.6-16	6.57-18.10
Heating Output (15°C Air/26°C Water)	kW	2.09-5.34	2.09-6.62	1.77-8.55	3.62-11.38	4.45-13.20
C.O.P. at 27°C Air		11.24~6.07	11.24~5.73	12.19~5.69	12.0~5.43	11.53~6.11
Consumed Power at 27°C Air	kW	0.29-1.227	0.29-1.6	0.295-2.016	0.55-2.95	0.57-2.96
Normal Running Current	A	1.57-5.35	1.57-7.00	0.8~8.6	2.40-12.89	2.48-12.9
Power Supply		220-240/1/50				
Connection Type		10amp	10amp	15amp	hardwired	hardwired
Fan Quantity		1	1	1	1	1
Fan Speed	RPM	600-800	600-800	500-900	500-800	500-850
Air Flow	m3h	2000	2000	2300	3800	4000
Noise at 1M	dB(A)	40-46.5	40-46.5	43-50	43-53	39.5-52.5
Noise at 1M (Silent Mode)		40	40	43	43	39.5
Refrigerant Gas		R32				
PVC Water Connection	mm	40				
Water Flow Volume	L/min	66.67	66.67	76.67	115	128.33
Water Pressure Drop (Max)	kPa	3.2	3.2	4	7.5	8.8
Net Dimensions L/W/H	mm	1034 / 450 / 626	1034 / 450 / 626	1034 / 450 / 626	1040 / 490 / 768	1171 / 510 / 858
Net Weight	kg	67	67	67	87	98

The data above is based on the Evo heat pump only, it does not include auxiliary devices. Product specification information provided above is correct at the date of printing, this data may change without notice. Please speak with an EvoHeat Specialist for the most current product specifications.

2. Dimensions

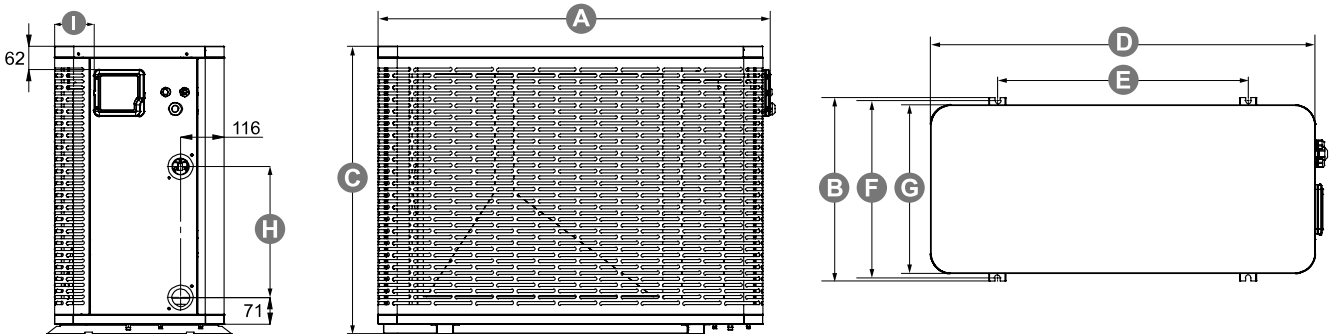
Edge-i 7, Edge-i 9 & Edge-i 13

Unit: mm	A (L)	B (W)	C (H)	D	E	F	G	H	I	J	K	L
	1034	450	626	1000	645	430	402	350	248	119	117	108



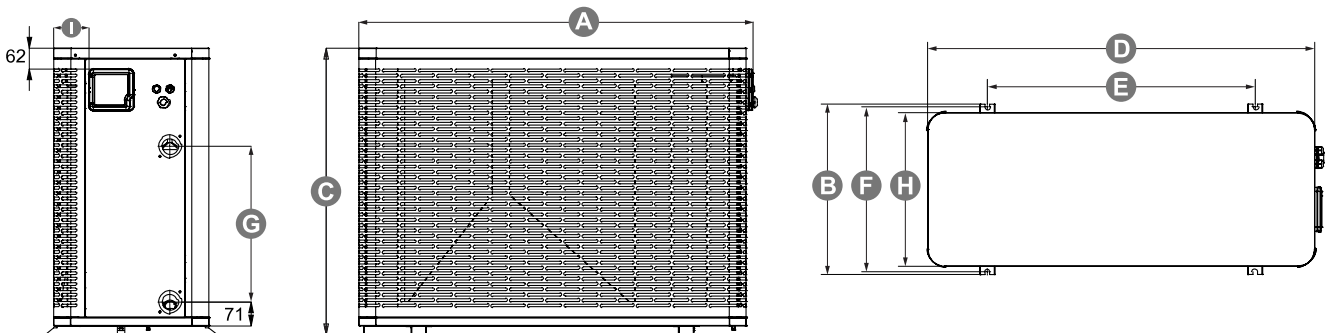
Edge-i 17

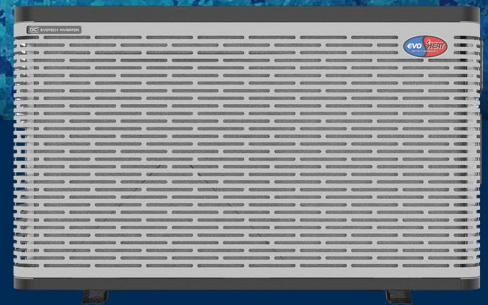
Unit: mm	A (L)	B (W)	C (H)	D	E	F	G	H	I
	1040	490	768	1020	665	474	450	350	105



Edge-i 20

Unit: mm	A (L)	B (W)	C (H)	D	E	F	G	H	I
	1171	510	858	1150	796	495	466	460	105





QUICK START GUIDE

Evo Edge-i

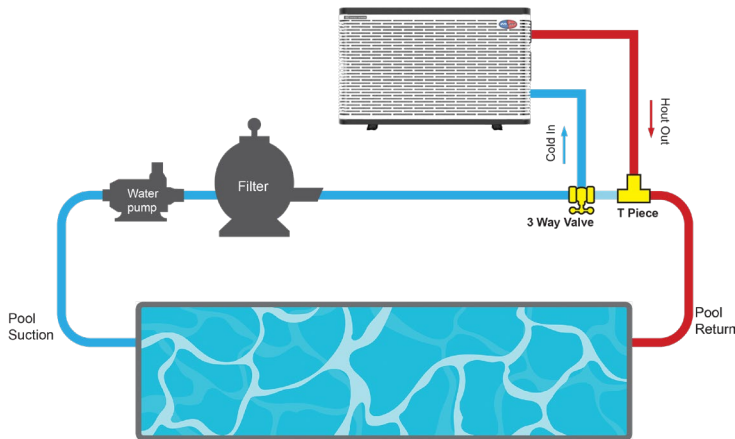


IMPORTANT THINGS TO NOTE

- Ensure you meet the minimum clearances and recommended installation locations as outlined in the manual.
- All heat pump accessories are contained in a plastic bag inside the packaging of your heat pump unit.

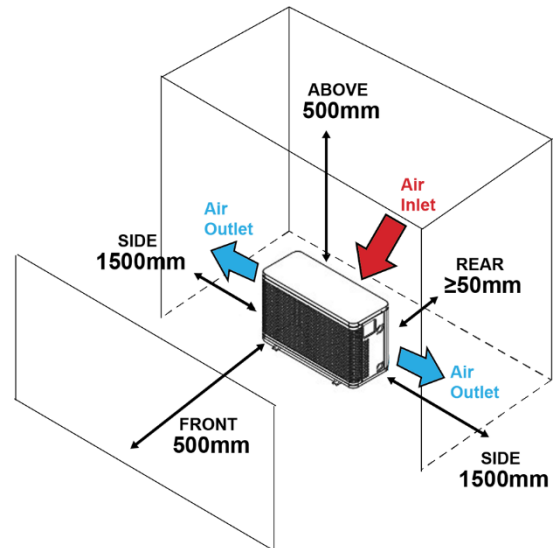
PRE-INSTALLATION

1. Position the heater on a level pad in the desired location on the pool water return line (as shown in the example image below).
2. Install the supplied antivibration rubber pads under the feet of the unit.
3. Install the supplied condensation barb to the underside of the unit and direct the condensation to an appropriate drainage point.



AIRFLOW CLEARANCES

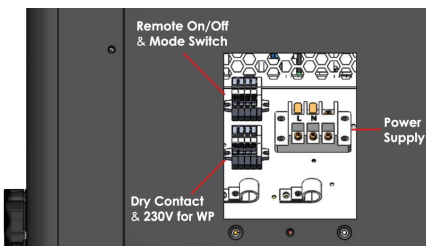
Ensure the heater is installed in a well-ventilated area with plenty of fresh air, a minimum gap between walls/fences etc of 1500mm on the sides and 500mm overhead clearance.



PLUMBING INSTALLATION

NOTE: Evo heat pumps standard plumbing fitting size can accept 32mm or 50mm NB PVC pipe for connection to the pool or spa filtration plumbing.

1. Attach the supplied barrel unions to the cold inlet and hot outlet (hand tighten).
2. Use plumbing tape and ensure the 'O' ring is in position when sealing.
3. Install a 3-way valve at the cold-water inlet and create a bypass by connecting a "T" piece to the heated line.
4. Make the plumbing connections and brace pipework where necessary.



WATER PUMP CONNECTION

NOTE: there are 3 connection options for activation of the heat pump/water pump:

1. Remote on/off – for connection to external pool automation (signal input)
2. Water Pump – 230V connection point for dedicated water pump
3. Dry Contact – connection for chlorinators with dry contact capabilities (signal output)




ELECTRICAL CONNECTION

NOTE: Electrical connection should only be completed by licenced personnel and in accordance with all relevant Australian Standards, applicable laws and local legislations.

1. Remove the external cover to the electrical terminal by removing the screws and the terminal cover panel.
2. Feed the electrical cable in through the conduit nipple and attach the electric supply wires to the applicable Active Neutral and Earth connections located in the electrical terminal.
3. To complete the electrical connection, install electrical conduit, UF cable or other suitable means as specified (as permitted by local electrical authorities) and connect the cable to a dedicated power supply branch circuit equipped with the appropriate size circuit breaker, or time delay fuse protection.

INITIAL STARTUP & COMMISSIONING

NOTE: The water pump must be running and water circulating through the heat pump for the system to operate.

1. Turn on your water filter pump and check for water leaks and verify flow to and from the pool.
2. Turn on the electrical power supply to the EvoHeat unit
3. Press the **ON/OFF**  button of the controller so that the outlet temperature is displayed on screen, the unit will start within 60 seconds.
4. Press the **MODE**  button to select a mode, continue pressing the button until the small sun icon  appears for heating.
5. Go back to the main menu, press the **UP** or **DOWN** arrow keys to adjust the target temperature settings. Leave the new temperature idle on the screen for 5 seconds to automatically save the adjustment.
6. After the system has been running for approximately 5 minutes, check the Temperature Differential (TD) of the entering cold water to the exiting heated water.
 - a. On the main screen, the larger numbers on the display refer to the outlet water temperature. The smaller numbers below this refer to the inlet water temperature.
 - b. Review the inlet and outlet water temperatures and adjust the water flow by opening or closing the 3-way valve installed at the cold-water inlet to achieve a target TD of approximately 2°C (ex. 26°C inlet water and 28°C outlet water).
7. If there is any interruption to water flow (i.e. when the water pump is turned off), the unit will automatically turn off and display an E03 error code – no water flow. This is normal and the system will restart once water flow is reinstated.



INITIAL HEAT UP TIME

Initial heat up times will vary depending on the size of your pool, environmental conditions and the capacity of the system installed. After installation please allow the unit and pool pump to run continuously until the desired pool water temperature is reached (it may take several days for the pool to initially reach the set temperature).

Once the pool water reaches the desired set temperature, the unit will shut off. The unit will automatically restart (provided your pool pump is running) when the pool temperature falls more than 1°C below the desired set temperature.

4. Safety Instructions



Installation, repair, or relocations must only be done by a fully qualified technician. If done incorrectly there is a number of hazards that can occur including fire, electric shock, water leakage and injury.

- A circuit breaker must be installed for the unit.
- Ensure the unit has a good power connection and earthing to avoid the risk of electrical shocks.
- Do not use any means to accelerate the defrosting processor or to clean other than those recommended by EvoHeat.
- The unit must be stored in a room without any continuously operating ignition sources (for example: open flames, an operating gas appliance)
- Do not pierce or burn the unit.
- If the supply cord is damaged, it must be replaced by a qualified service agent.
- This appliance must be installed in accordance with national wiring regulations.
- Before obtaining access to terminals all supply circuits must be disconnected.

The unit is equipped with an over-load protection system. After a previous stoppage, the unit will not start for at least 3 minutes.

Be aware that refrigerants may not contain an odour.

An all-pole disconnection device must be incorporated which as at least 3mm clearances in all poles, a leakage current that may exceed 10mA, residual current device (RCD) having a rated residual operating current not exceeding 30mA and disconnection must be incorporated in the fixed wiring in accordance with the wiring rules.

WARNING

THIS PRODUCT CONTAINS A BUTTON BATTERY

If swallowed, a lithium button battery can cause severe or fatal injuries within 2 hours.

Keep batteries out of reach of children.

If you think batteries may have been swallowed or placed inside any part of the body, seek immediate medical attention.

Installation

- The unit should be installed, operated and stored in a room with a floor area larger than 30m².
- The installation of pipe-work should be kept to a minimum 30m²
- Spaces where refrigerant pipes are present must comply with national gas regulations.
- Use supply wires suitable for 75°C

Transport

When transporting equipment containing flammable refrigerants:

- Comply with transport & local regulations
- Equipment must be stored safely in accordance with the instructions within this manual.
- Abide by any signage on the packaging
- The unit must be protected from damage and potential leak of the refrigerant charge.

*Caution: Single wall heat exchanger, not suitable for potable water connection.

5. Installation

5.1 System Installation

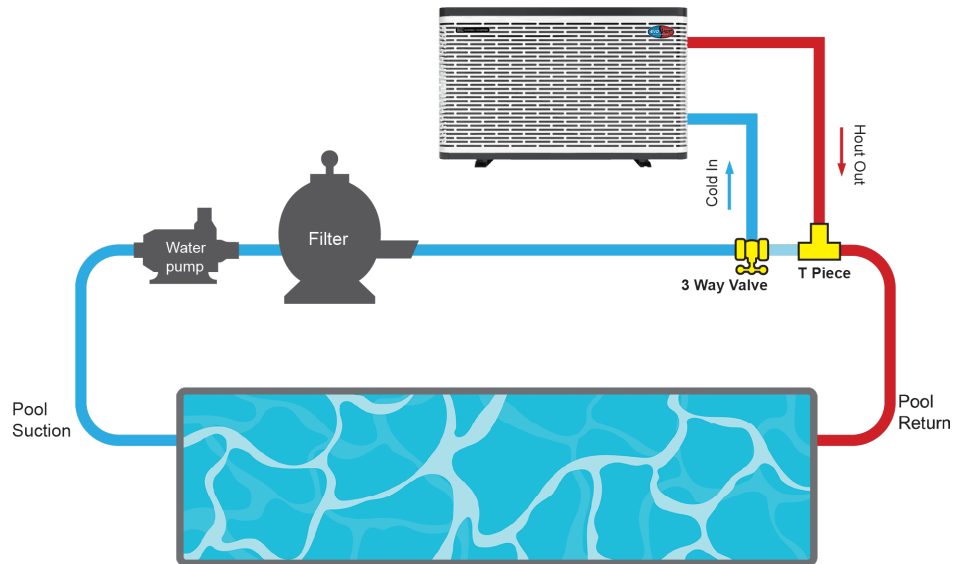
Upon receiving the unit, check the packaging for any obvious signs of damage. Inform EvoHeat immediately if there is any evidence of rough handling. When the heater has been removed from the packaging check the refrigerant gauge on the front panel of the unit. The gauge should be showing a pressure of approx. 10 – 20 on the outside red band – any less than this figure means there may be a leak in the refrigerant system, and you should immediately contact your EvoHeat Dealer.

Only the main unit and the water unit in the illustration are provided; the other items are necessary spare parts for the water system that are to be provided by customer or the installer.

When starting for the first time:

1. Open valve and charge water.
2. Make sure that the pump and the water-in pipe have been filled with water.
3. Close the valve and start the unit.

The schematic diagram is for reference only. Please check the water inlet/outlet label on the heat pump while plumbing the unit.



IMPORTANT: EvoHeat heat pumps **MUST** be connected by a licensed electrician. Under no circumstances should an unlicensed person attempt to install or repair an EvoHeat heat pump themselves. Heater electrical installation undertaken by an unlicensed installer will void the warranty. Correct installation is required to ensure safe and efficient operation of your pool heater.

Before installation it is very important to ensure 5 variables are carefully checked to allow the unit to operate correctly.

- Heater Condition
- Location
- Clearances & Air Flow
- Adequate water flow & plumbing
- Correct electrical connection & supply

5.2 Location of Installation

Evo recommend the heat pump should **ONLY** be installed in an outdoor location with appropriate ventilation. Installing the heater indoors without adequate ventilation, or in a poorly ventilated enclosed space, will result in very poor performance and can, in extreme cases, damage the heater.

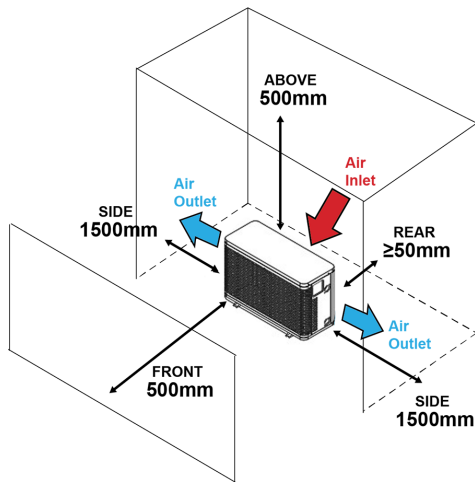
The Evo unit should be installed:	<ul style="list-style-type: none"> - At least 3.5m away from the water's edge. - No greater than 7.5m from the water's edge (to avoid heat loss from the piping). - No greater than 5m below the water level of the pool/spa.
-----------------------------------	--

Make sure the heat pump is not located where large amounts of water may run-off from a roof into the unit. Sharp sloping roofs without gutters will allow excessive amounts of rainwater mixed with debris from the roof to be forced through the unit. A water deflector may be needed to protect the heat pump.

Ensure the heat pump is not installed close to harsh or corrosive chemicals.

The heat pump should be installed on a flat level surface. If a suitable outdoor location is unavailable please contact EvoHeat for specialist technical advice.

5.3 Airflow Clearances



Ensure the heater is installed in a well-ventilated area with plenty of fresh air, a minimum gap between walls/fences etc of 1500mm on the sides and 500mm overhead clearance. At minimum gap of at least 50mm is required at the rear of the unit.

Leave sufficient space for unobstructed airflow into and out of the heater. Do not locate the heater in an enclosed area, or the discharged cold air will recirculate into the unit and consequently lower the heating efficiency as well as possibly icing up.

If the installation location does not comply with these suggested clearances, contact EvoHeat's Tech Support to discuss possible solutions.

5.4 Adequate Water Flow

All EvoHeat heat pumps have a factory pre-set internal water flow switch. If there is insufficient water flow the unit will not operate.

It is VITAL that there is sufficient water flow to the unit. Incorrect water flow can cause a loss of efficiency and possible damage to the unit. Optimal water flow rates are listed within this manual. It is imperative that water flow is kept as close as possible to these flow rates.

Before connecting the heater to the plumbing all piping must be thoroughly flushed to ensure no debris can enter the heater. Failure to remove pipe debris can jam or damage the flow switch and may cause damage to the heater. When cleaning the pool, it is advisable to turn off your heater as restricted water flow may cause the heater to shut down and indicate low water flow fault (E03 error) or high pressure fault (E01 Error).



A Variable speed pump or bypass valve and plumbing MUST be fitted to allow water flow to be adjusted through the heater. Do not direct connect a water pump with higher flow than required to the heat pump.

5.5 Rubber Feet

All EvoHeat units are provided with rubber feet which we highly recommend being installed. The rubber feet help reduce vibration of the unit and provide a space below the heat pump to install the drainage barbs.

5.6 Condensate Drain Barb



Fit the condensate drain barb into the 2 holes under the unit if you need to direct water away from the heater.

If the barb is too stiff, place it in hot water to soften.

5.7 Drainage & Condensation



During operation, water in the air condenses on the fins of the evaporator. In high humidity, the condensate may be several litres per hour, giving the impression that the unit is leaking. This process is a normal function of heat pumps.

The heater will automatically activate reverse cycle or de-icing mode when required which also increases condensate discharge. This normally occurs at temperatures below 8°C. The condensate water will discharge through the base of the heater. As an option, a 20mm clear vinyl tube pipe can be connected by hand to the drain on the base of the unit to direct condensate water to an appropriate location.

NOTE A quick way to verify that the water is condensation is to shut off the unit and keep the pool pump running. If the water stops running out of the base pan, it is condensation. Another method is to test the drain water for chlorine – if there is no chlorine present, then it's condensation

5.8 Plumbing

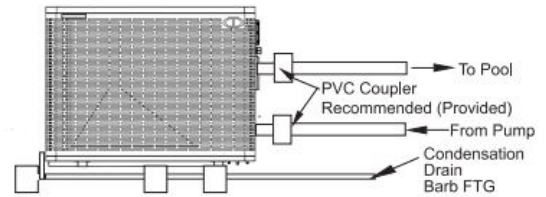
The unit's exclusive rated flow titanium heat exchanger requires no special plumbing arrangements except bypass (set the flow rate according to the nameplate). The water pressure drop is less than 10kPa at max.

Flow Rate

Since there is no residual heat or flame temperatures the unit does not need copper heat sink piping. PVC pipe can be run straight into the unit.

Location

Connect the unit in the pool pump discharge (return) line downstream of all filter and pool pumps, and upstream of any chlorinators, ozonators or chemical pumps.



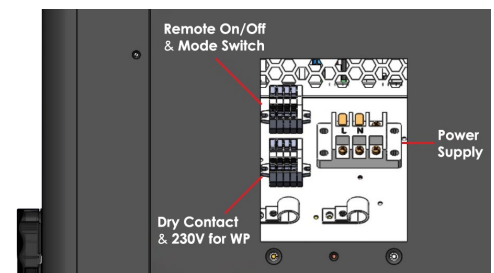
Standard models have slip glue fittings which accept 32mm or 50mm PVC pipe for connection to the pool or spa filtration piping. By using a 50NB to 40NB you can plumb 40NB.

Consider adding a quick coupler fitting at the unit's inlet & outlet to allow easy draining of the unit and to provide easier access should servicing be required. Ensure pipework connecting to the inlet/outlet unions is appropriately supported, any movement in this pipework can caused the rubber O-ring to pinch and leak.

5.9 Water Pump Connection

NOTE: there are 3 connection options for activation of heat pump/water pump:

1. Remote on/off – for connection to external pool automation (signal input)
2. Water Pump – 230V connection point for dedicated water pump
3. Dry Contact – connection for chlorinators with dry contact capabilities (signal output)



5.10 Electrical Connection



Always use a suitably qualified Electrician to perform any electrical work, they must read the manual before connecting.

Ensure all cabling, circuit breakers, and protections are of a suitable size and specification in accordance with electrical wiring legislation for the heater being installed. Ensure to check that there is adequate voltage and current available at the heater connection to run the unit.

Voltage range should be 220-240 volts for single phase, and 380-415 volts for 3 phase units. Voltage ranges outside these parameters will cause heater damage and void your warranty.

1. Ensure power is disconnected during installation or service.
2. Always comply with the national and local electrical codes and standards.
3. Ensure the electrical cable size is adequate for heater requirements at the installation location.
4. The heater must be equipped with a circuit breaker and isolation device.
5. The circuit breaker must be installed between the heater and the water circulation pump if the water pump is hard-wired into the heater. Please note recommended circuit breaker sizes make no allowance for a water pump hard wired into the heater.
6. The unit must be well earthed. Remove the front panel to access the electrical connection terminals of the heater. The electrical wiring diagram is affixed to the inside of the front panel or at the back of this manual.

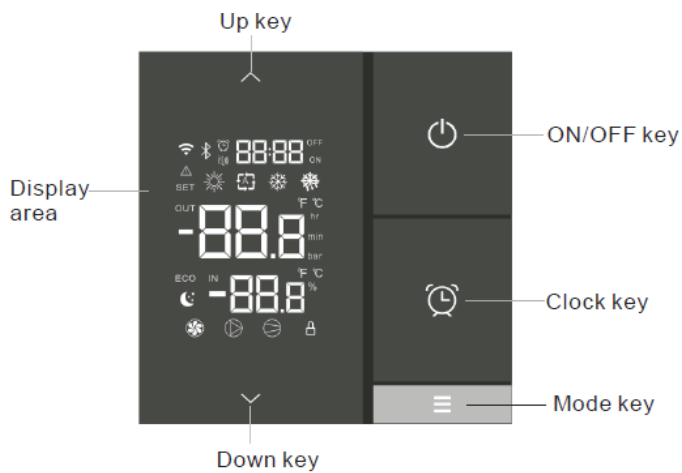
5.11 Initial Start-Up

For the unit to heat the pool or spa, the filter pump **MUST** be running to circulate water through the heat exchanger.

1. Turn on the filter pump. Check for water leaks and verify there is flow both to and from the pool.
2. Turn of the unit's electrical power supply, then press the ON/OFF button on the unit to start it.
3. After a few minutes of running, make sure the air leaving the unit is roughly between 5-10°C cooler.
4. With the unit in operation, turn the filter pump off. The unit should then turn off automatically.
5. Allow the unit and the pool pump to run for at least 24 hours a day until the desired temperature is reached. Once this temperature is reached, the unit will periodically slow down and turn off if the temperature is maintained for at least 45 minutes. The unit will automatically restart (as long as the pool pump is running) when the pool temperature drops more than 0.2°C below set temperature.

6. Operation

6.1 The Controller



	ON/OFF	Start up or shut down the unit.
	CLOCK	System time or clock timer settings.
	MODE	Switch unit mode, temperature setting and parameters.
	UP	Increase or decrease a value. Scroll up or down page.
	DOWN	

<p>Defrosting</p> <p>The unit is currently defrosting.</p>	<p>Compressor</p> <p>The compressor has started.</p>	<p>Water Pump</p> <p>The water pump has started.</p>	<p>Fan</p> <p>The fan has started.</p>	<p>Water Outlet</p> <p>OUT</p> <p>The water outlet temperature.</p>	<p>Water Inlet</p> <p>IN</p> <p>The water inlet temperature.</p>
---	---	---	---	---	--

6.2 Operating Functions

6.2.1 Startup & Shutdown

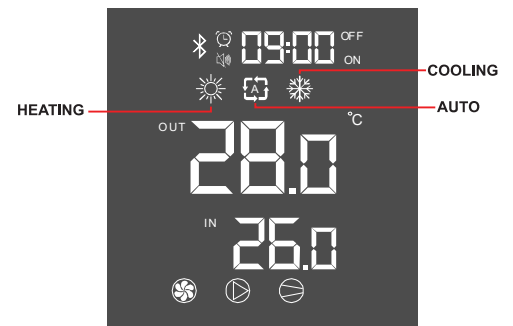
To turn the unit on or off, press the **ON/OFF** button. When the unit is on, the outlet water temperature will appear on the screen instead of 'Off'.

When the screen has not been touched for over a minute, the screen will go to sleep. Press any key to re-wake the screen.

6.2.2 Setting the Mode

In the main menu, press the **MODE** button to switch between the modes: Heating, Cooling & Automatic.

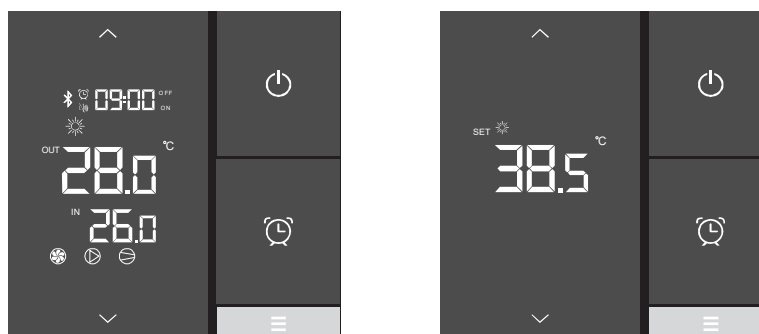
Once you have selected your desired mode, leave the control panel idle for a few seconds to automatically apply the changes.



6.2.3 Setting a Target Temperature

To change the set temperature of your unit, press either the **UP** or **DOWN** arrow key from the main menu. When you are altering the set temperature value, it will begin flashing to indicate it is being edited.

To save the changes either press the **MODE** button or leave the screen idle for 5 seconds. The controller will automatically save and return back to the main menu.



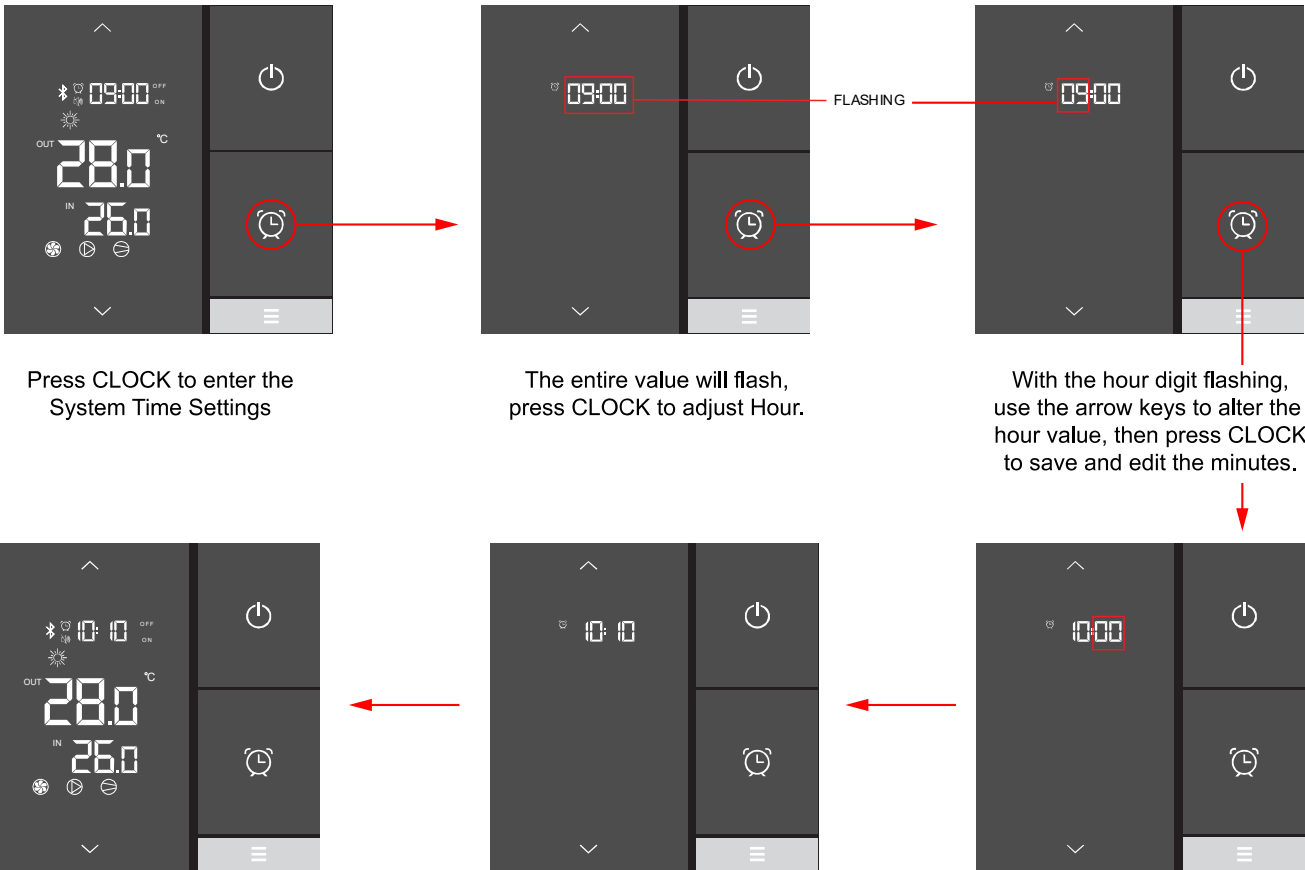
6.2.4 System Time Settings

The system time is the clock that is displayed on your unit. We recommend you adjust this to your local time if your unit is not aligned with this.

From the main menu, press the **CLOCK** button to enter into the system time settings for your unit. Once the system time begins flashing, this indicates you can now edit it.

With the entire time flashing, press the **CLOCK** button again to begin altering the hour value of the time. Use the arrow keys to adjust the hour value as desired and then press **CLOCK** to save and begin altering the minute value.

Use the arrow keys again to adjust the minute value and press **CLOCK** to save and return to the main menu. If at any point you would like to cancel any adjustments, press the **POWER** button to cancel and return.



Press **CLOCK** to enter the System Time Settings

The entire value will flash, press **CLOCK** to adjust Hour.

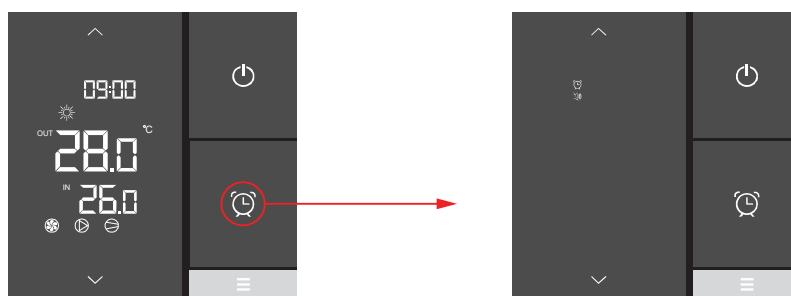
With the hour digit flashing, use the arrow keys to alter the hour value, then press **CLOCK** to save and edit the minutes.

Use the arrow keys again to adjust the minute value, then press **CLOCK** to save the final time and return back to the main interface.

6.2.5 On-Off Timer

The On-Off Timer allows you to specify a timing period that the unit will startup and shutdown.

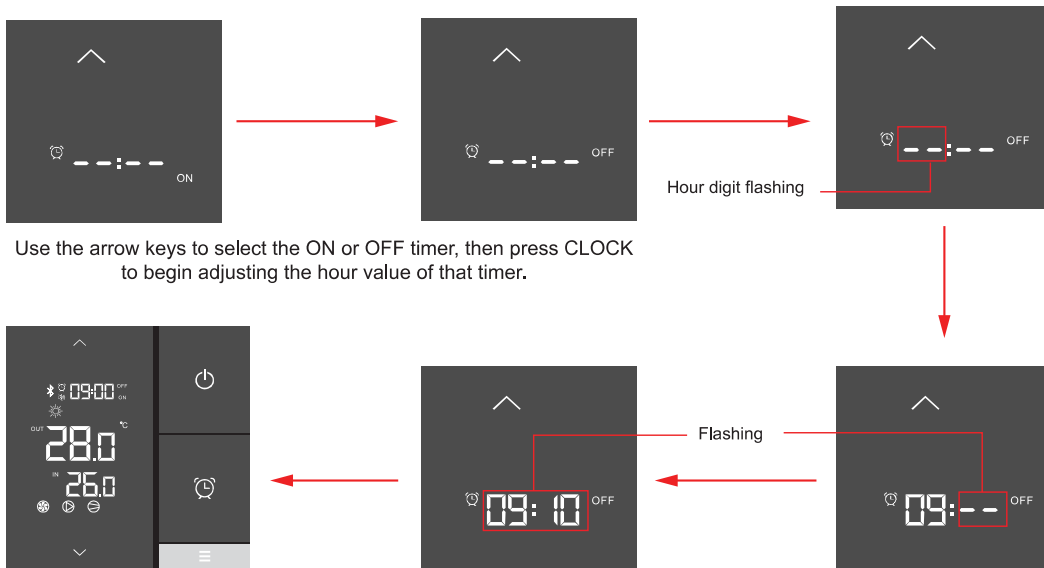
From the main menu, hold down the **CLOCK** button for up to 5 seconds until a small alarm clock symbol displays and is flashing. Press the **CLOCK** button to enter into the ON/OFF Timer settings.



Hold the **CLOCK** button for up to 5 seconds

Use the arrow to select the On/Off timer function, then press **CLOCK** to adjust the settings.

Use the arrow keys to select either an ON timer or an OFF timer (you need to set both for this function to operate). Press **CLOCK** to begin adjusting the hour value, once adjustments have been made to the hour value, press **CLOCK** to adjust the minute value and continue pressing **CLOCK** once you've made any changes.

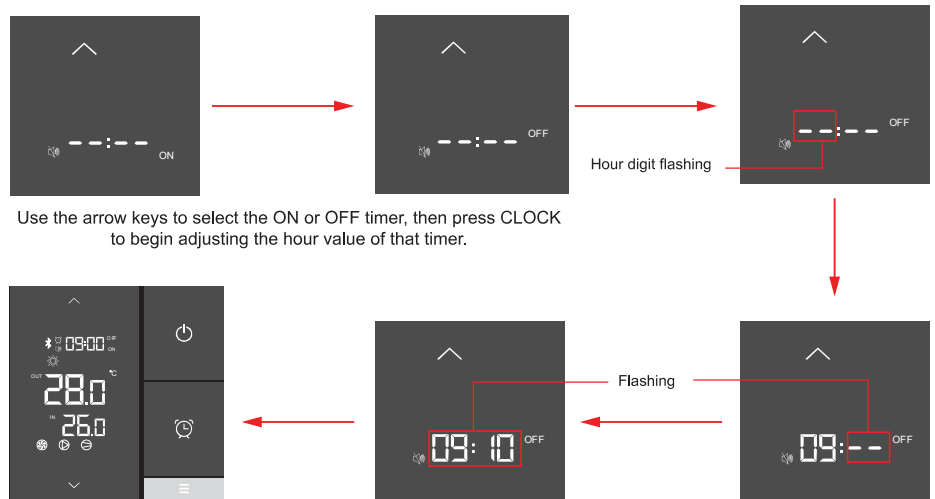


6.2.6 Mute Timer

The Mute Timer is a function that will allow you to operate the unit at reduced noise levels for a specified time period.

Note: When silent mode is active it locks the compressor into a lower speed, reducing the available full heating capacity

From the main menu, hold down the **CLOCK** button for up to 5 seconds until a small alarm clock symbol displays and is flashing. Use the arrow key to select the **MUTE** option, then press the **CLOCK** button to enter into the settings.



Use the same steps to alter the mute timer as the 'On Off Timer'.

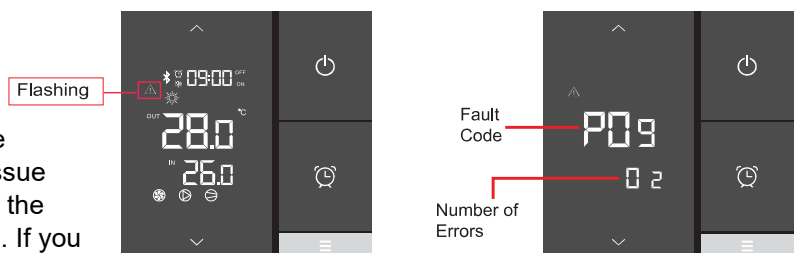
6.2.7 Locking the Keyboard

Lock the keyboard to prevent accidental or unauthorised changes to the unit's operation. When the screen is locked, a small lock symbol will appear at the bottom right of the screen.

To unlock or relock the screen, simply hold down the **POWER** button for 5 seconds.

6.2.8 Fault Interface

If your unit experiences a fault, a flashing warning symbol will appear to the left of the screen. While this warning is flashing, press the **POWER** button for half a second to view the fault/s. The main value on the fault screen is a code which refers to what issue the unit is experiencing. The smaller number below the fault code refers to how many errors have occurred. If you have more than one error, use the arrow keys to browse them.



7. Troubleshooting

7.1 Electronic Control Fault Table

Protect/Fault	Fault Display	Reason	Elimination Methods
Standby	Non		
Normal boot	Non		
Inlet Temp. Sensor Fault	P01	The temp. Sensor is broken or short circuit	Check or change the temp. sensor
Outlet Temp. Sensor Fault	P02	The temp. Sensor is broken or short circuit	Check or change the temp. sensor
Ambient Temp. Sensor Fault	P04	The temp. Sensor is broken or short circuit	Check or change the temp. sensor
Coil1 Temp. Sensor Fault	P05	The temp. Sensor is broken or short circuit	Check or change the temp. sensor
Coil2 Temp. Sensor Fault	P15	The temp. sensor is broken or short circuit	Check or change the temp. sensor
Suction Temp. Sensor Fault	P07	The temp. Sensor is broken or short circuit	Check or change the temp. sensor
Discharge Temp. Sensor Fault	P81	The temp. Sensor is broken or short circuit	Check or change the temp. sensor
High Pressure Prot.	E01	The high-pressure switch is broken	Check the pressure switch and cold circuit
Low Pressure Prot.	E02	Low pressure1 protection	Check the pressure switch and cold circuit
Flow Switch Prot.	E03	No water/little water in water system	Check the pipe water flow and water pump
Anti-freezing Prot.	E07	Water flow is not enough	Check the pipe water flow and whether water system is jammed or not
Primary Anti-freezing Prot.	E19	The ambient temp. Is low	
Secondary Anti-freezing Prot.	E29	The ambient temp. Is low	
Inlet and outlet temp. too big	E06	Water flow is not enough and low differential pressure	Check the pipe water flow and whether water system is jammed or not
Low temperature protection	Non	The environment temp. is low	
Comp. Overcurrent Prot.	E51	The compressor is overload	Check whether the system of the compressor running normally
Exhaust Air over Temp Prot.	P82	The compressor is overload	Check whether the system of the compressor running normally
Communication Fault	E08	Communication failure between wire controller and mainboard	Check the wire connection between remote wire controller and main board
Antifreeze Temp. Sensor Fault	P09	Antifreeze temp sensor is broken or short circuited	check and replace this temp sensor
Waterway Anti-freezing Prot.	E05	Water temp. or ambient temp. is too low	
EC fan feedback Fault	F51	There is something wrong with fan motor and fan motor stops running	Check whether fan motor is broken or locked or not
Pressure sensor Fault	PP	The pressure Sensor is broken	Check or change the pressure sensor or pressure
Fan Motor1 Fault	F31	1. Motor is in locked-rotor state 2. The wire connection between DC-fan motor module and fan motor is in bad contact	1. Change a new fan motor 2. Check the wire connection and make sure they are in good contact
Low AT Protection	TP	Ambient temp is too low	
Fan Motor2 Fault	F32	1. Motor is in locked-rotor state 2. The wire connection between DC-fan motor module and fan motor is in bad contact	1. Change a new fan motor 2. Check the wire connection and make sure they are in good contact.
Communication Fault (speed control module)	E81	Speed control module and main board communication fail	Check the communication connection

7.2 Frequency Conversion Board Fault Table

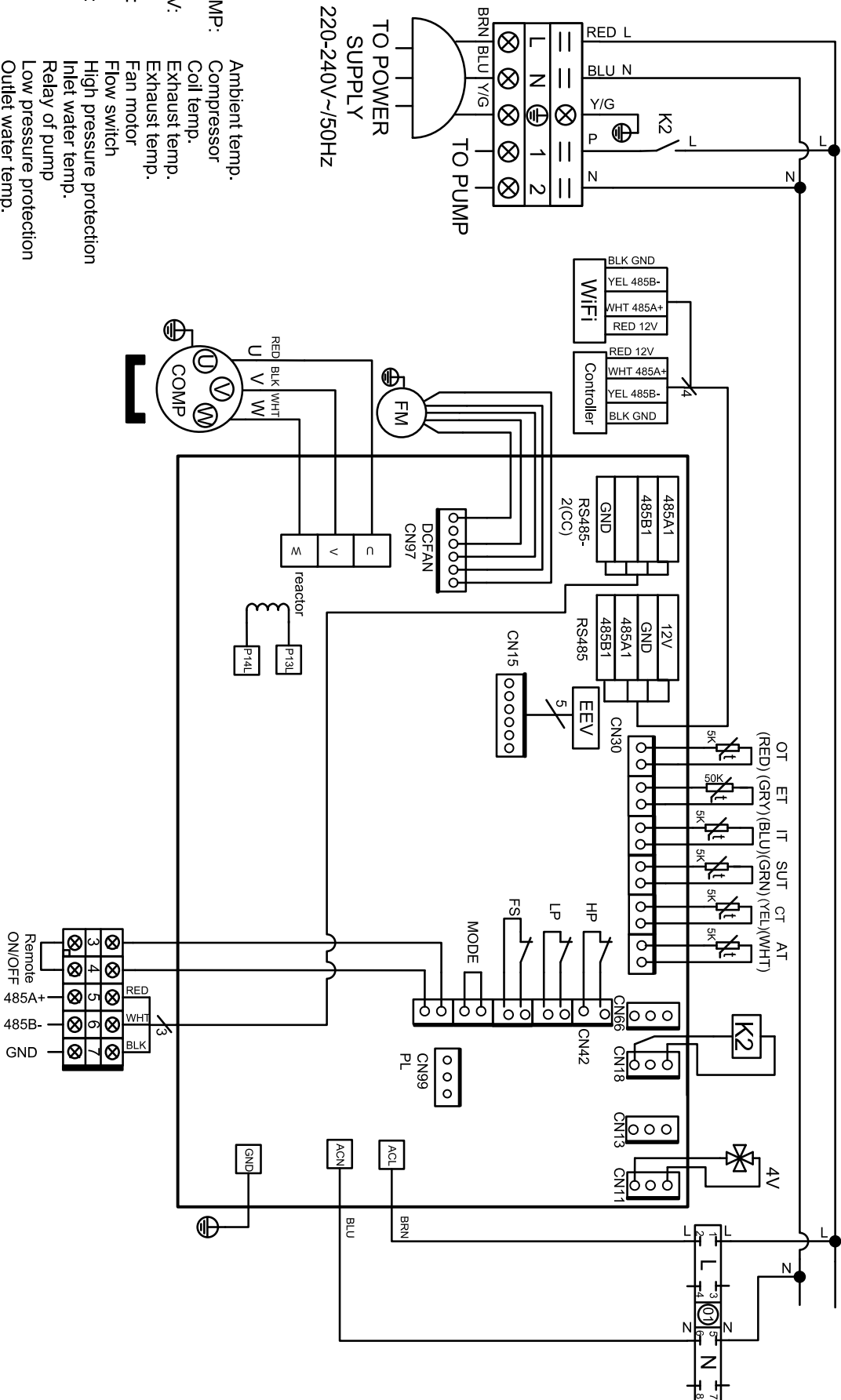
Protect/Fault	Fault Display	Reason	Elimination Methods
Drv1 MOP alarm	F01	MOP drive alarm	Recovery after the 150s
Inverter offline	F02	Frequency conversion board and main board communication failure	Check the communication connection
IPM protection	F03	IPM modular protection	Recovery after the 150s
Comp. Driver Failure	F04	Lack of phase, step or drive hardware damage	Check the measuring voltage check frequency conversion board hardware
DC Fan Fault	F05	Motor current feedback open circuit or short circuit	Check whether current return wires connected motor
IPM Overcurrent	F06	IPM Input current is large	Check and adjust the current measurement
Inv. DC Overvoltage	F07	DC bus voltage > Dc bus over-voltage protection value	Check the input voltage measurement
Inv. DC Lessvoltage	F08	DC bus voltage < Dc bus over-voltage protection value	Check the input voltage measurement
Inv. Input Lessvolt.	F09	The input voltage is low, causing the input current to be high	Check the input voltage measurement
Inv. Input Overvolt	F10	The input voltage is too high, more than outage protection current RMS	Check the input voltage measurement
Inv. Sampling Volt	F11	The input voltage sampling fault	Check and adjust the current measurement
Comm. Err DSP-PFC	F12	DSP and PFC connect fault	Check the communication connection
Input Over Cur.	F26	The equipment load is too large	
PFC Fault	F27	The PFC circuit protection	Check the PFC switch tube short circuit or not
IPM Over heating	F15	The IPM module is overheat	Check and adjust the current measurement
Weak Magnetic Warn	F16	Compressor magnetic force is not enough	
Inv. Input Out Phase	F17	The input voltage lost phase	Check and measure the voltage adjustment
IPM Sampling Cur.	F18	IPM sampling electricity is fault	Check and adjust the current measurement
Inv. Temp Probe Fail	F19	Sensor is short circuit or open circuit	Inspect and replace the sensor
Inverter Overheating	F20	The transducer is overheat	Check and adjust the current measurement
Inv. Overheating Warn	F22	Transducer temperature is too high	Check and adjust the current measurement
Comp. Overcur. Warn	F23	Compressor electricity is large	The compressor over-current protection
Input Over Cur. Warn	F24	Input current is too large	Check and adjust the current measurement
EEPROM Error Warn	F25	MCU error	Check whether the chip is damaged Replace the chip
V15V over/undervoltage fault	F28	The V15C is overload or undervoltage	Check the V15V input voltage in range 13.5v~16.5v or not

8. Appendix

8.1 Wiring Diagrams

Edge-i 7

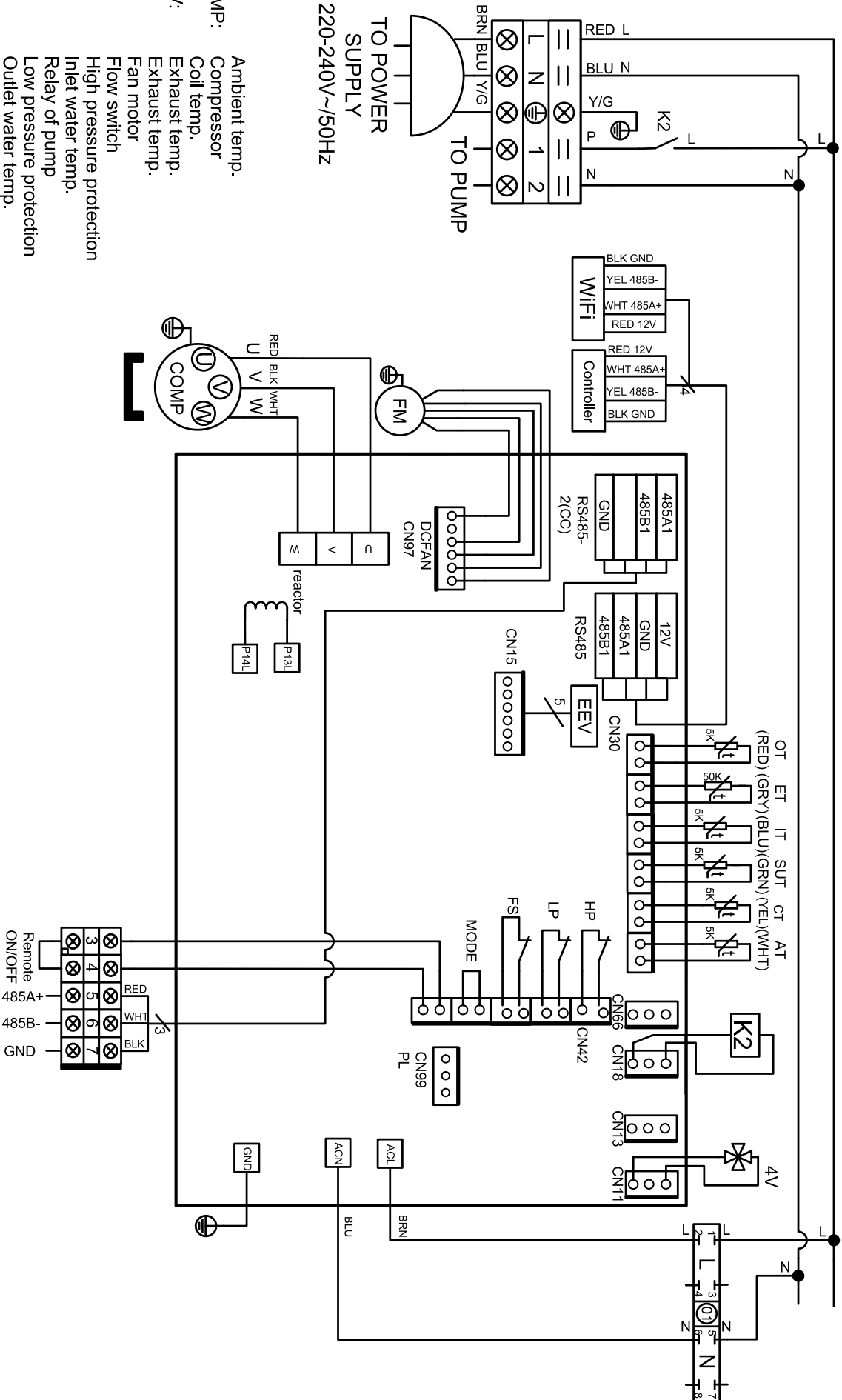
- AT: Ambient temp.
- COMP: Compressor
- CT: Coil temp.
- EEV: Exhaust temp.
- ET: Exhaust temp.
- FM: Fan motor
- FS: Flow switch
- HP: High pressure protection
- IT: Inlet water temp.
- K2: Relay of pump
- LP: Low pressure protection
- OT: Outlet water temp.
- SUT: Suction temp.
- 4V: 4-way valve



CODE: 727000000728-04

Edge-i 9

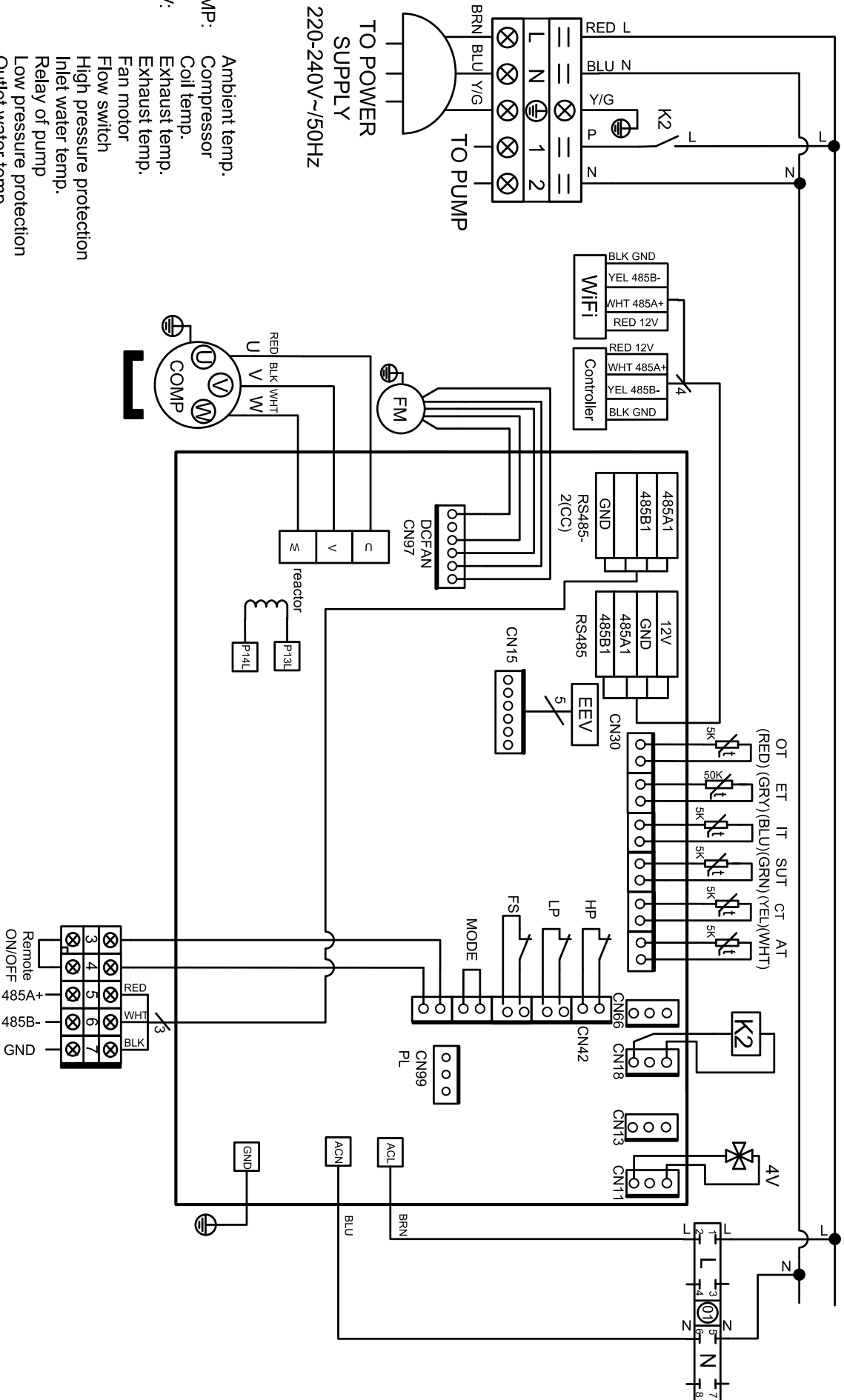
- AT: Ambient temp.
- COMP: Compressor
- CT: Coil temp.
- EEV: Exhaust temp.
- ET: Exhaust temp.
- FM: Fan motor
- FS: Flow switch
- HP: High pressure protection
- IT: Inlet water temp.
- LP: Low pressure protection
- OT: Outlet water temp.
- SUT: Suction temp.
- 4V: 4-way valve



CODE: 727000000728-04

Edge-i 13

- AT: Ambient temp.
- COMP: Compressor
- CT: Coil temp.
- EEV: Exhaust temp.
- ET: Exhaust temp.
- FM: Fan motor
- FS: Flow switch
- HP: High pressure protection
- IT: Inlet water temp.
- K2: Relay of pump
- LP: Low pressure protection
- OT: Outlet water temp.
- SUT: Suction temp.
- 4V: 4-way valve



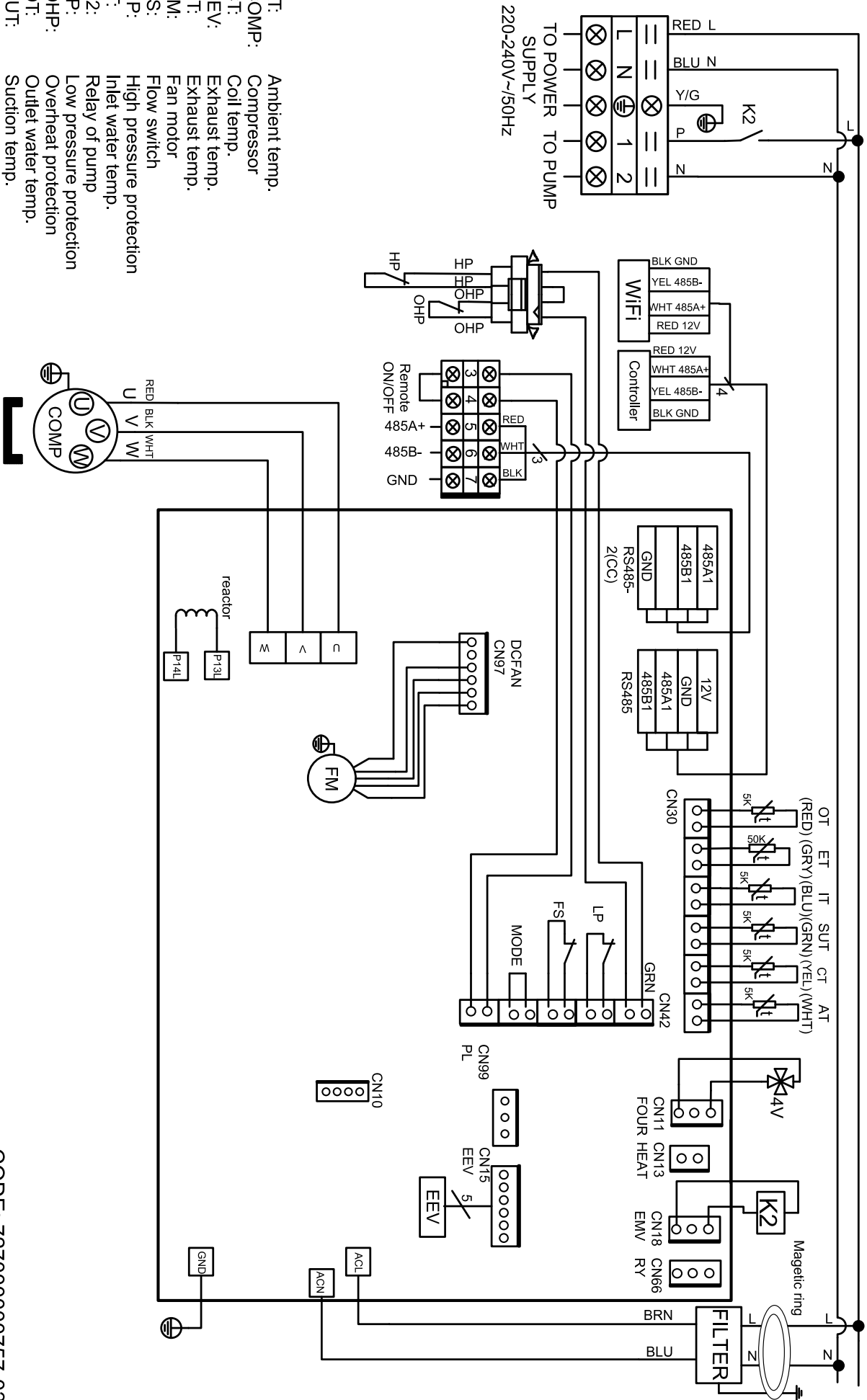
TO POWER SUPPLY
220-240V~/50HZ

TO PUMP

CODE: 727000000754-03

Edge-i 17

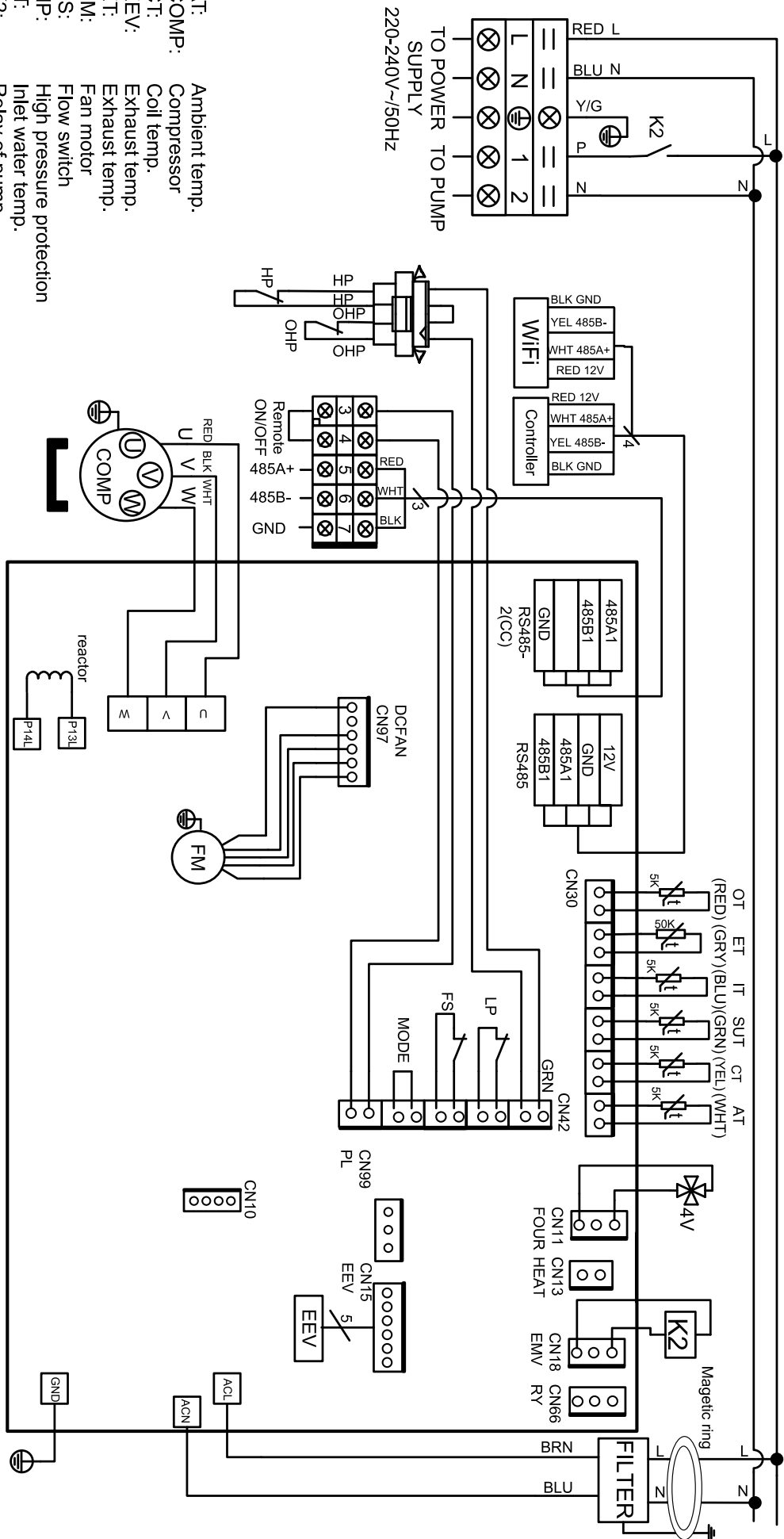
- AT: Ambient temp.
- COMP: Compressor
- CT: Coil temp.
- EEV: Exhaust temp.
- ET: Exhaust temp.
- FM: Fan motor
- FS: Flow switch
- HP: High pressure protection
- IT: Inlet water temp.
- K2: Relay of pump
- LP: Low pressure protection
- OHP: Overheat protection
- OT: Outlet water temp.
- SUT: Suction temp.
- 4V: 4-way valve



CODE: 727000000757-03

Edge-i 20

- AT: Ambient temp.
- COMP: Compressor
- CT: Coil temp.
- EEV: Exhaust temp.
- ET: Exhaust temp.
- FAN: Fan motor
- FS: Flow switch
- HP: High pressure protection
- IT: Inlet water temp.
- K2: Relay of pump
- LP: Low pressure protection
- OHP: Overheat protection
- OT: Outlet water temp.
- SUT: Suction temp.
- 4V: 4-way valve



CODE: 727000000758-03

8.2 Parameter List

Meaning	Default	Remarks
Refrigeration target temperature set point	27°C	Adjustable
Heating the target temperature set point	27°C	Adjustable
Automatic target temperature set point	27°C	Adjustable

8.3 Cable Specifications

Single Phase Unit					
Nameplate maximum current	Phase line	Earth line	MCB	Creepage Protector	Signal Line
No more than 10A	2 x 1.5mm ²	1.5mm ²	20A	30mA less than 0.1 sec	n x 0.5mm ²
10~16A	2 x 2.5mm ²	2.5mm ²	32A		
16~25A	2 x 4mm ²	4mm ²	40A		
25~32A	2 x 6mm ²	6mm ²	40A		
32~40A	2 x 10mm ²	10mm ²	63A		
40~63A	2 x 16mm ²	16mm ²	80A		
63~75A	2 x 25mm ²	25mm ²	100A		
75~101A	2 x 25mm ²	25mm ²	125A		
101~123A	2 x 35mm ²	35mm ²	160A		
123~148A	2 x 50mm ²	50mm ²	225A		
148~186A	2 x 70mm ²	70mm ²	250A		
186~224A	2 x 95mm ²	95mm ²	280A		

Three Phase Unit					
Nameplate maximum current	Phase line	Earth line	MCB	Creepage Protector	Signal Line
No more than 10A	3 x 1.5mm ²	1.5mm ²	20A	30mA less than 0.1 sec	n x 0.5mm ²
10~16A	3 x 2.5mm ²	2.5mm ²	32A		
16~25A	3 x 4mm ²	4mm ²	40A		
25~32A	3 x 6mm ²	6mm ²	40A		
32~40A	3 x 10mm ²	10mm ²	63A		
40~63A	3 x 16mm ²	16mm ²	80A		
63~75A	3 x 25mm ²	25mm ²	100A		
75~101A	3 x 25mm ²	25mm ²	125A		
101~123A	3 x 35mm ²	35mm ²	160A		
123~148A	3 x 50mm ²	50mm ²	225A		
148~186A	3 x 70mm ²	70mm ²	250A		
186~224A	3 x 95mm ²	95mm ²	280A		

9. Maintenance

9.1 F.A.Q

SHOULD I CHECK MY UNIT REGULARLY?

We recommend you do an annual maintenance check to avoid potential issues and damage to your heat pump.

ANNUAL MAINTENANCE

It is recommended that the minor maintenance be performed every 12 months by the dwelling occupant or if uncomfortable with completing this EvoHeat recommend this work to be carried out by an EvoHeat Authorised contractor. The minor maintenance includes:

- Inspection of the unit's operation...This includes:
 - Unit is reaching set temperature.
 - Visible water leaks from unit besides condensation (test water for chlorine or other pool chemicals)
 - Temperature difference between the inlet and outlet temperatures on the display whilst the unit is operational.
 - Isolate unit power and remove any debris from around the evaporator and unit to prevent any restriction to airflow. (brush out evaporator coil with a soft brush in a downwards motion to prevent bending or damaging the evaporator fins)
- Conduct a visual inspection of all plumbing and electrical connections.
- Check the condensate drain line to ensure it is not blocked. If so unblock/remove the restriction from the drain. This is generally attached to a plastic barb at the base of the unit.
- Conduct a general external clean of the unit with a damp cloth.

DO I NEED TO GET MY UNIT SERVICED?

It is recommended that you get your EvoHeat unit serviced every two years by your local certified air conditioning or refrigeration technician. If your unit is located in a coastal area, more frequent maintenance may be necessary.

During the service, they will check the operational pressures of the refrigeration system and give the unit and fins a good clean to ensure maximum performance.

TWO YEAR SERVICE

It is recommended that this maintenance is carried out by EvoHeat Authorised personnel. Just as a car needs regular servicing, your heat pump also requires a service to maintain efficiency and ensure long-term performance.

Phone EvoHeat Service on 1300 859 933 for our closest Accredited Service Agent.

Note: only genuine replacement parts should be used on this water heater. The service includes the following actions:

- All items listed in the Annual Maintenance
- Removal of unit covers to inspect operation of parts and internal leaks
- Check/tighten Heat exchanger Nut and Olive
- Check Fan operation
- Check Current draw of compressor and if it is in range
- Check Electrical resistance
- Check Electrical components for carbon build up, loose wiring etc.
- Wash out Evaporator Coil
- Vacuum Drain to ensure no blockage/restrictions

9.2 Advanced

<p style="text-align: center;">CHECK THE AREA</p> <p>Prior to beginning work on systems containing flammable refrigerants, safety checks are necessary to ensure that the risk of ignition is minimised. For repair to the refrigerating system, the following precautions shall be complied with prior to conducting work on the system. prolonged period of no usage.</p>	<p style="text-align: center;">GENERAL WORK AREA</p> <p>All maintenance staff and others working in the local area shall be instructed on the nature of work being carried out. Work in confined spaces shall be avoided. The area around the workspace shall be sectioned off. Ensure that the conditions within the area have been made safe by control of flammable material.</p>
<p style="text-align: center;">PRESENCE OF FIRE EXTINGUISHER</p> <p>If any hot work is to be conducted on the refrigeration equipment or any associated parts, appropriate fire extinguishing equipment shall be available to hand. Have a dry powder or CO2 fire extinguisher adjacent to the charging</p>	<p style="text-align: center;">WORK PROCEDURES</p> <p>Work shall be undertaken under a controlled procedure to minimise the risk of a flammable gas or vapour being present while the work is being performed.</p>
<p style="text-align: center;">CHECKING FOR PRESENCE OF REFRIGERANT</p> <p>The area shall be checked with an appropriate refrigerant detector prior to and during work, to ensure the technician is aware of potentially flammable atmospheres. Ensure that the leak detection equipment being used is suitable for use with flammable refrigerants, i.e. non-sparking, adequately sealed or intrinsically safe.</p>	<p style="text-align: center;">VENTILATED AREA</p> <p>Ensure that the area is in the open or that it is adequately ventilated before breaking into the system or conducting any hot work. A degree of ventilation shall continue during the period that the work is carried out. The ventilation should safely disperse any released refrigerant and preferably expel it externally into the atmosphere. prolonged period of no usage.</p>
<p style="text-align: center;">CABLING</p> <p>Check that cabling will not be subject to wear, corrosion, excessive pressure, vibration, sharp edges or any other adverse environmental effects. The check shall also consider the effects of aging or continual vibration from sources such as compressors or fans.</p>	<p style="text-align: center;">DETECTION OF FLAMMABLE REFRIGERANTS</p> <p>Under no circumstances shall potential sources of ignition be used in the searching for or detection of refrigerant leaks. A halide torch (or any other detector using a naked flame) shall not be used.</p>
<p style="text-align: center;">REPAIR TO INTRINSICALLY SAFE COMPONENTS</p> <p>Do not apply any permanent inductive or capacitance loads to the circuit without ensuring that this will not exceed the permissible voltage and current permitted for the equipment in use.</p> <p>Intrinsically safe components are the only types that can be worked on while live in the presence of a flammable atmosphere. The test apparatus shall be at the correct rating. Replace components only with parts specified by the manufacturer. Other parts may result in the ignition of refrigerant in the atmosphere from a leak.</p>	<p style="text-align: center;">LABELLING</p> <p>Equipment shall be labelled stating that it has been de-commissioned and emptied of refrigerant. The label shall be dated and signed. Ensure that there are labels on the equipment stating the equipment contains flammable refrigerant.</p>
<p style="text-align: center;">NO IGNITION SOURCES</p>	<p>No person carrying out work in relation to a refrigeration system which involves exposing any pipe work that contains or has contained flammable refrigerant shall use any sources of ignition in such a manner that it may lead to the risk of fire or explosion. All possible ignition sources, including cigarette smoking, should be kept sufficiently far away from the site of installation, repairing, removing and disposal, during which flammable refrigerant can possibly be released to the surrounding space. Prior to work taking place, the area around the equipment is to be surveyed to make sure that there are no flammable hazards or ignition risks. No Smoking signs shall be displayed.</p>
<p style="text-align: center;">CHARGING PROCEDURES</p>	<p>In addition to conventional charging procedures, the following requirements shall be followed.</p> <ul style="list-style-type: none"> • Ensure that contamination of different refrigerants does not occur when using charging equipment. Hoses or lines shall be as short as possible to minimise the amount of refrigerant contained in them. • Cylinders shall be kept upright. • Ensure that the refrigeration system is earthed prior to charging the system with refrigerant. • Label the system when charging is complete (if not already). • Extreme care shall be taken not to overfill the refrigeration system. <p>Prior to recharging the system, it shall be pressure tested with OFN. The system shall be leak tested on completion of charging but prior to commissioning. A follow up leak test shall be carried out prior to leaving the site. The safety wire model is 5*20_5A/250VAC, and must meet the explosion-proof requirements.</p>

<p>CHECKS TO THE REFRIGERATION EQUIPMENT</p>	<p>Where electrical components are being changed, they shall be fit for the purpose and to the correct specification. At all times the manufacturer's maintenance and service guidelines shall be followed. If in doubt consult the manufacturer's technical department for assistance.</p> <p>The following checks shall be applied to installations using flammable refrigerants:</p> <ul style="list-style-type: none"> • The charge size is in accordance with the room size within which the refrigerant containing parts are installed; • The ventilation machinery and outlets are operating adequately and are not obstructed; If an indirect refrigerating circuit is being used, the secondary circuit shall be checked for the presence of refrigerant; • Marking to the equipment continues to be visible and legible. Markings and signs that are illegible shall be corrected; • Refrigeration pipe or components are installed in a position where they are unlikely to be exposed to any substance which may corrode refrigerant containing components, unless the components are constructed of materials which are inherently resistant to being corroded or are suitably protected against being so corroded.
<p>CHECKS TO ELECTRICAL DEVICES</p>	<p>Repair and maintenance to electrical components shall include initial safety checks and component inspection procedures. If a fault exists that could compromise safety, then no electrical supply shall be connected to the circuit until it is satisfactorily dealt with. If the fault cannot be corrected immediately but it is necessary to continue operation, an adequate temporary solution shall be used. This shall be reported to the owner of the equipment, so all parties are advised.</p> <p>Initial safety checks shall include:</p> <ul style="list-style-type: none"> • That capacitors are discharged: this shall be done in a safe manner to avoid possibility of sparking; • That there no live electrical components and wiring are exposed while charging, recovering or purging the system; • That there is continuity of earth bonding.
<p>REPAIRS TO SEALED COMPONENTS</p>	<ol style="list-style-type: none"> 1. During repairs to sealed components, all electrical supplies shall be disconnected from the equipment being worked upon prior to any removal of sealed covers, etc. If it is necessary to have an electrical supply to equipment during servicing, then a permanently operating form of leak detection shall be located at the most critical point to warn of a potentially hazardous situation. 2. Particular attention shall be paid to the following to ensure that by working on electrical components, the casing is not altered in such a way that the level of protection is affected. This shall include damage to cables, excessive number of connections, terminals not made to original specification, damage to seals, incorrect fitting of glands, etc. <p>Ensure that apparatus is mounted securely.</p> <p>Ensure that seals or sealing materials have not degraded such that they no longer serve the purpose of preventing the ingress of flammable atmospheres. Replacement parts shall be in accordance with the manufacturer's specifications.</p> <p><i>NOTE: The use of silicon sealant may inhibit the effectiveness of some types of leak detection equipment. Intrinsically safe components do not have to be isolated prior to.</i></p>
<p>LEAK DETECTION METHODS</p>	<p>The following leak detection methods are deemed acceptable for systems containing flammable refrigerants.</p> <p>Electronic leak detectors shall be used to detect flammable refrigerants, but the sensitivity may not be adequate, or may need re-calibration. (Detection equipment shall be calibrated in a refrigerant-free area.) Ensure that the detector is not a potential source of ignition and is suitable for the refrigerant used. Leak detection equipment shall be set at a percentage of the LFL of the refrigerant and shall be calibrated to the refrigerant employed and the appropriate percentage of gas (25 % maximum) is confirmed.</p> <p>Leak detection fluids are suitable for use with most refrigerants but the use of detergents containing chlorine shall be avoided as the chlorine may react with the refrigerant and corrode the copper pipe-work.</p> <p>If a leak is suspected, all naked flames shall be removed/extinguished.</p> <p>If a leakage of refrigerant is found which requires brazing, all of the refrigerant shall be recovered from the system, or isolated (by means of shut off valves) in a part of the system remote from the leak. Oxygen free nitrogen (OFN) shall then be purged through the system both before and during the brazing process.</p>

<p>REMOVAL AND EVACUATION</p>	<p>When breaking into the refrigerant circuit to make repairs or for any other purpose conventional procedures shall be used. However, it is important that best practice is followed since flammability is a consideration. The following procedure shall be adhered to:</p> <p>Remove refrigerant; Purge the circuit with inert gas; Evacuate; Purge again with inert gas; Open the circuit by cutting or brazing.</p>	<p>The refrigerant charge shall be recovered into the correct recovery cylinders. The system shall be "flushed" with OFN to render the unit safe. This process may need to be repeated several times. Compressed air or oxygen shall not be used for this task.</p> <p>Flushing shall be achieved by breaking the vacuum in the system with OFN and continuing to fill until the working pressure is achieved, then venting to atmosphere, and finally pulling down to a vacuum. This process shall be repeated until no refrigerant is within the system. When the final OFN charge is used, the system shall be vented down to atmospheric pressure to enable work to take place. This operation is absolutely vital if brazing operations on the pipe-work are to take place.</p> <p>Ensure that the outlet for the vacuum pump is not close to any ignition sources and there is ventilation available. working on them.</p>
<p>RECOVERY</p>	<p>When removing refrigerant from a system, either for servicing or decommissioning, it is recommended good practice that all refrigerants are removed safely.</p> <p>When transferring refrigerant into cylinders, ensure that only appropriate refrigerant recovery cylinders are employed. Ensure that the correct number of cylinders for holding the total system charge is available. All cylinders to be used are designated for the recovered refrigerant and labelled for that refrigerant (i.e. special cylinders for the recovery of refrigerant). Cylinders shall be complete with pressure relief valve and associated shut-off valves in good working order. Empty recovery cylinders are evacuated and, if possible, cooled before recovery occurs.</p> <p>The recovery equipment shall be in good working order with a set of instructions concerning the equipment that is at hand and shall be suitable for the recovery of flammable refrigerants. In addition, a set of calibrated weighing scales shall be available and in good working order. Hoses shall be complete with leak-free disconnect couplings and in good condition. Before using the recovery machine, check that it is in satisfactory working order, has been properly maintained and that any associated electrical components are sealed to prevent ignition in the event of a refrigerant release. Consult manufacturer if in doubt.</p>	<p>The recovered refrigerant shall be returned to the refrigerant supplier in the correct recovery cylinder, and the relevant Waste Transfer Note arranged. Do not mix refrigerants in recovery units and especially not in cylinders.</p> <p>If compressors or compressor oils are to be removed, ensure that they have been evacuated to an acceptable level to make certain that flammable refrigerant does not remain within the lubricant. The evacuation process shall be carried out prior to returning the compressor to the suppliers. Only electric heating to the compressor body shall be employed to accelerate this process. When oil is drained from a system, it shall be carried out safely.</p>
<p>DECOMMISSIONING</p>	<p>Before carrying out this procedure, it is essential that the technician is completely familiar with the equipment and all its detail. It is recommended good practice that all refrigerants are recovered safely. Prior to the task being carried out, an oil and refrigerant sample shall be taken in case analysis is required prior to re-use of reclaimed refrigerant. It is essential that electrical power is available before the task is commenced.</p> <ol style="list-style-type: none"> a) Become familiar with the equipment and its operation. b) Isolate system electrically. c) Before attempting the procedure ensure that: <ul style="list-style-type: none"> - Mechanical handling equipment is available, if required, for handling refrigerant cylinders; - All personal protective equipment is available and being used correctly; - The recovery process is always supervised by a competent person; - Recovery equipment and cylinders conform to the appropriate standards. d) Pump down refrigerant system, if possible. e) If a vacuum is not possible, make a manifold so that refrigerant can be removed from various parts of the system. f) Make sure that cylinder is situated on the scales before recovery takes place. g) Start the recovery machine and operate in accordance with manufacturer's instructions. h) Do not overfill cylinders. (No more than 80 % volume liquid charge). i) Do not exceed the maximum working pressure of the cylinder, even temporarily. j) When the cylinders have been filled correctly and the process completed, make sure that the cylinders and the equipment are removed from site promptly and all isolation valves on the equipment are closed off. k) Recovered refrigerant shall not be charged into another refrigeration system unless it has been cleaned and checked. 	

10. Warranty



Refer to the EvoHeat website for warranty details

- Australia: <https://evoheat.com.au/warranty-terms/>
- South East Asia: <http://evoheat.com.sg/warranty/>

1. Warranty terms are from date of purchase.
2. This warranty excludes any defect or injury caused by or resulting from misuse, abuse, neglect, accidental damage, improper voltage, vermin infestation, incompetent installation, any fault not attributable to faulty manufacture or parts, any modifications which affect the reliability or performance of the unit.
3. This warranty does not cover the following:
 - a) Natural Disasters (hail, lightening, flood, fire etc.)
 - b) Damage resulting from any animal or creature (including vermin, reptiles and insects)
 - c) Rust or damage to exterior coatings, materials, and cabinet caused by corrosive atmosphere or weather/environmental conditions
 - d) When serviced by an unauthorized person without the permission of Evo Industries
 - e) When a unit is installed by an unqualified person
 - f) When failure occurs due to improper or incorrect installation
 - g) Where failure occurs due to failure of any other equipment connected in relation with the EvoHeat unit (e.g. power supply, water pump etc)
 - h) Where failure occurs due to improper maintenance or misuse (refer Operating Instructions)
 - i) 'No Fault Found' service calls where the perceived problem is explained within the operation instructions.
 - j) Costs associated with delivery, handling, freighting, or damage to the product in transit.
 - k) Where the unit has been relocated from its originally installed location
 - l) Where the unit has not been adequately sized/specified for the pool size, climate, environmental conditions and desired temperature
4. If warranty service is required, you should:
 - a) Contact Evo Industries Australia on 1300 859 933 or via our Contact page on our web site
 - b) Provide a copy of your receipt as proof of purchase
 - c) Have completed the online Service Request Form via the website www.evoheat.com.au/service-request/
5. Onsite technical service is available within the normal operating area of your Evo Authorised Service Agents. Service outside this area will incur a traveling fee.
6. Unless otherwise specified to the purchaser, the benefits conferred by this express warranty and additional to all other conditions, warranties, rights and remedies expressed or implied by the Trade Practices Act 1974 and similar consumer protection provisions contained in legislation of the States and Territories and all other obligations and liabilities on the part of the manufacturer or supplier and nothing contained herein shall restrict or modify such rights, remedies, obligations or liabilities.

REGISTER YOUR WARRANTY

EvoHeat highly recommend customers complete their warranty details online to ensure efficient warranty claim processing.

To register your warranty, scan our QR Code or head to our website and fill in the Warranty Registration Form: <https://evoheat.com.au/warranty-registration/>



SWIM EVERYDAY WITH EVOHEAT